

# CAST IN PLACE BASE

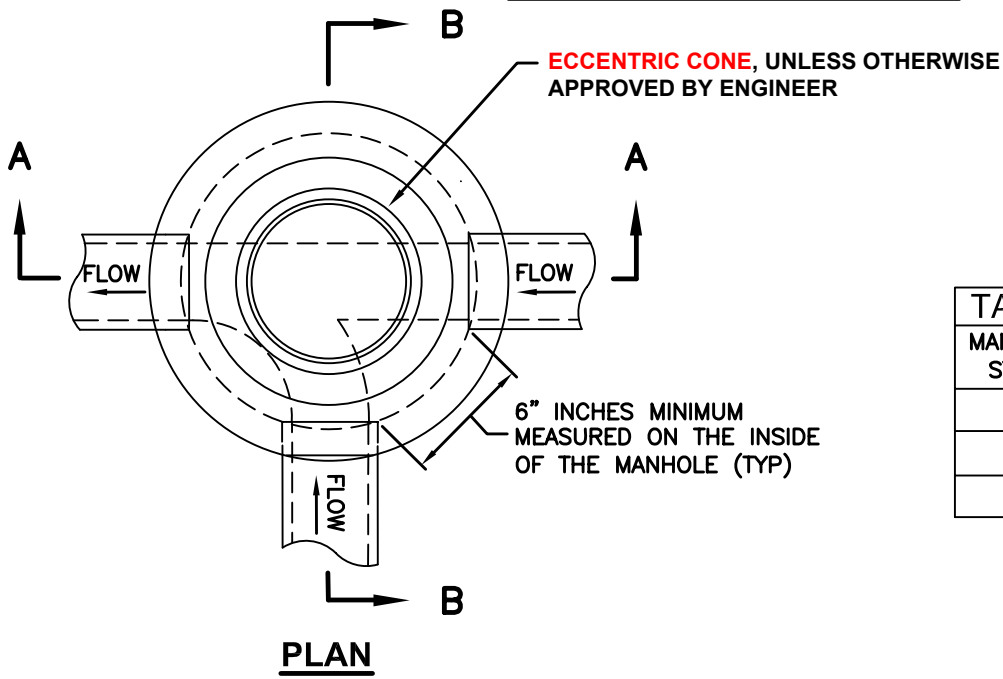
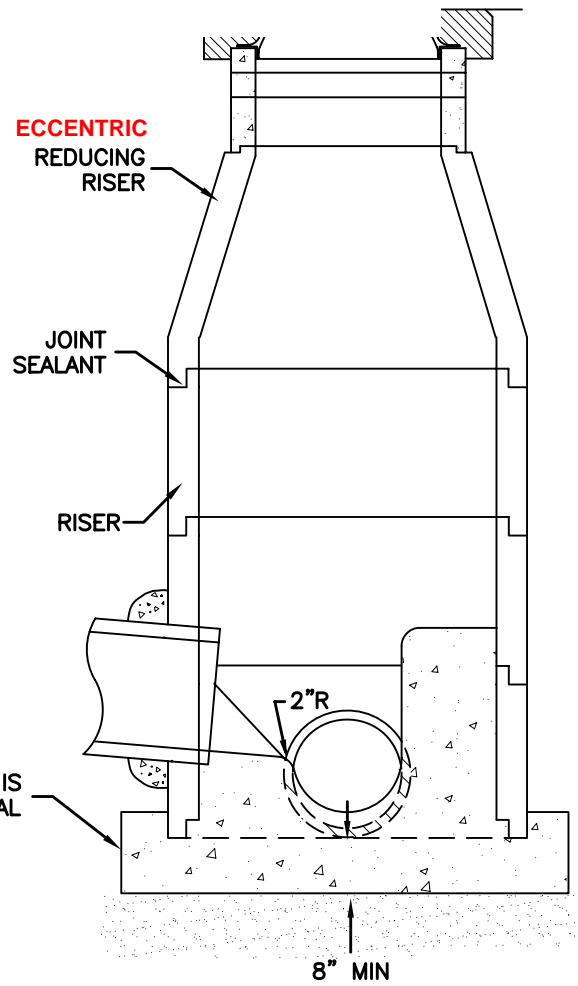
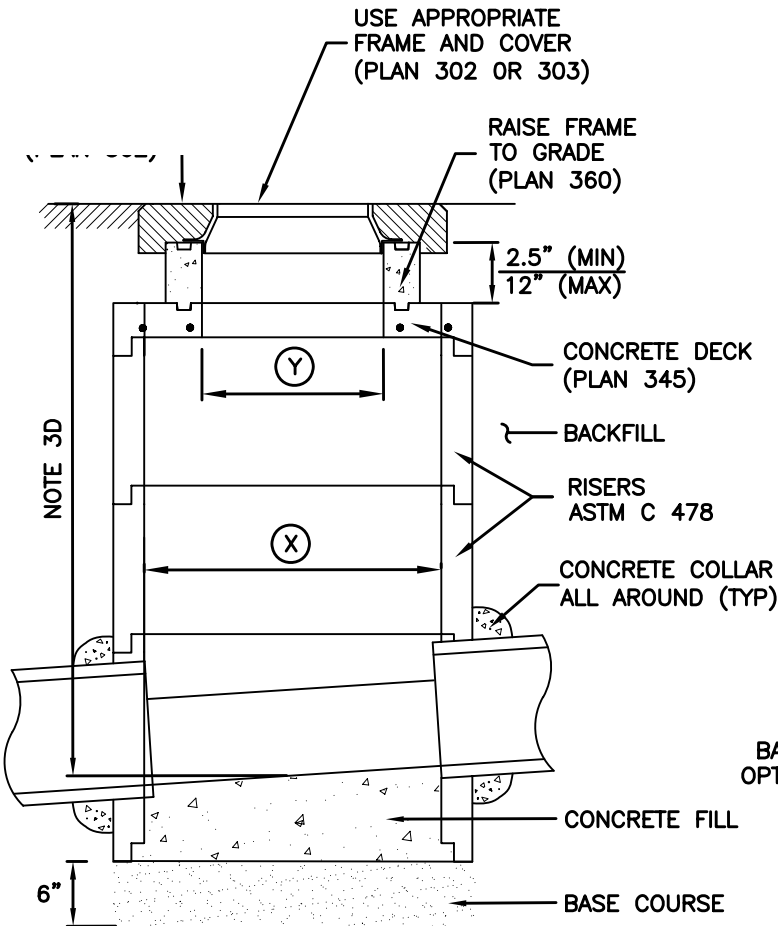


TABLE OF DIMENSIONS		
MANHOLE STYLE	DIMENSION	
A	(X) = 48"	(Y) = 30"
B	(X) = 60"	(Y) = 44"
C	(X) = 60"	(Y) = 30"



# PIPE PASS-THROUGH BASE

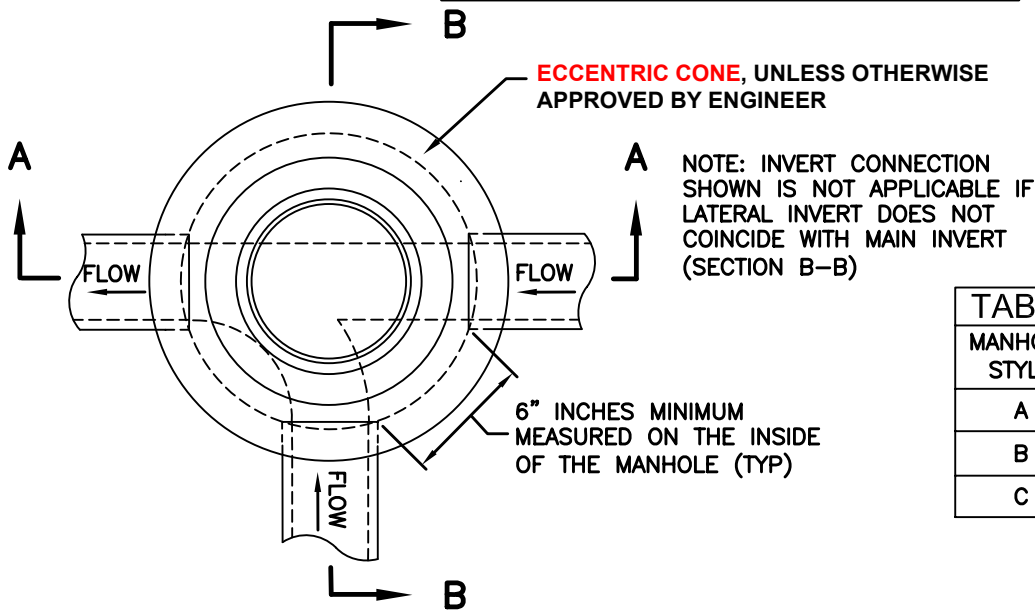
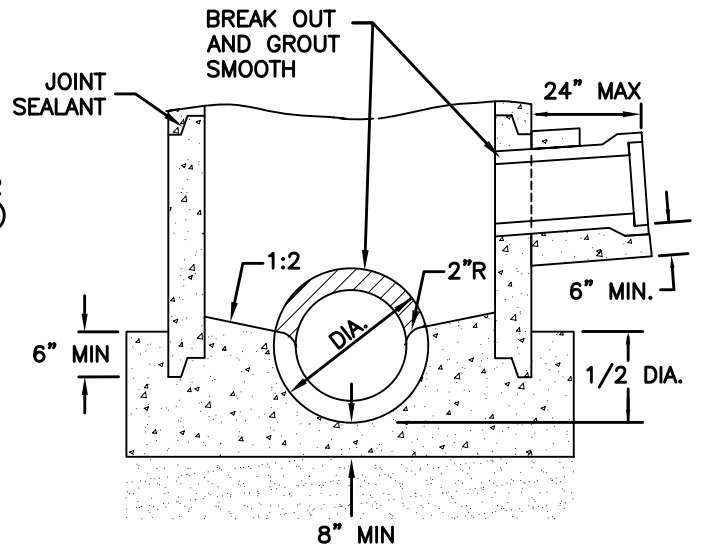
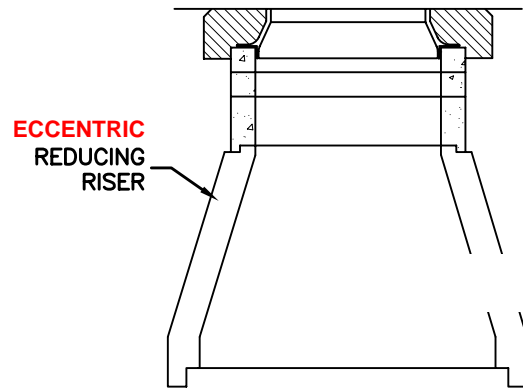
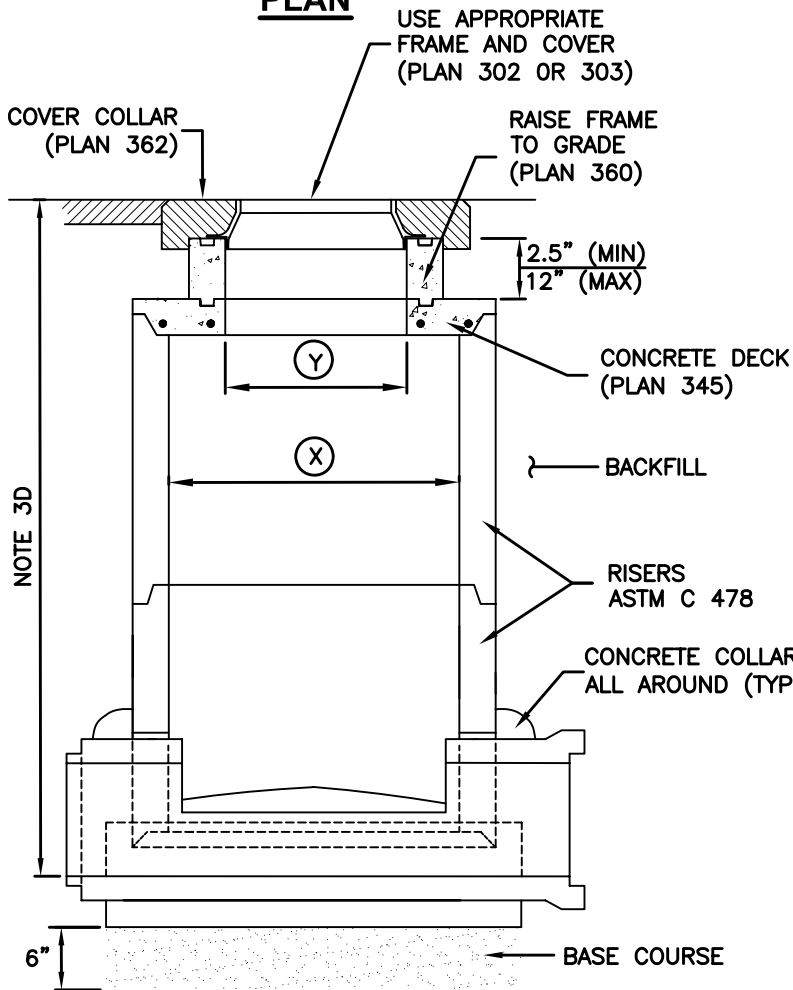


TABLE OF DIMENSIONS		
MANHOLE STYLE	DIMENSION	
A	(X) = 48"	(Y) = 30"
B	(X) = 60"	(Y) = 44"
C	(X) = 60"	(Y) = 30"

## PLAN



**SECTION A-A**  
(CONCRETE DECK OPTION)

**SECTION B-B**  
(REDUCING RISER OPTION)